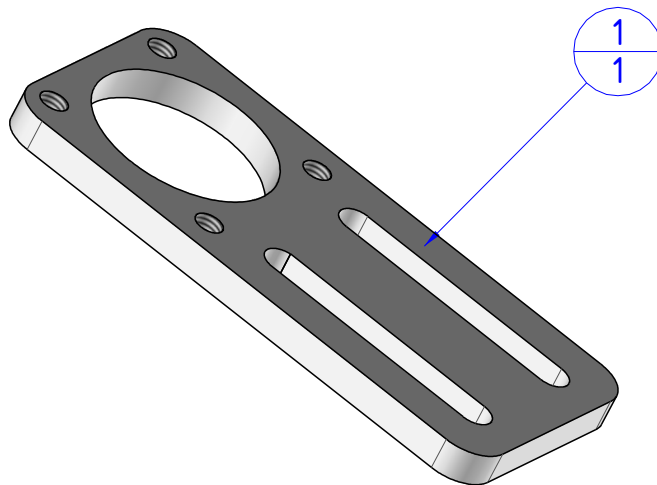
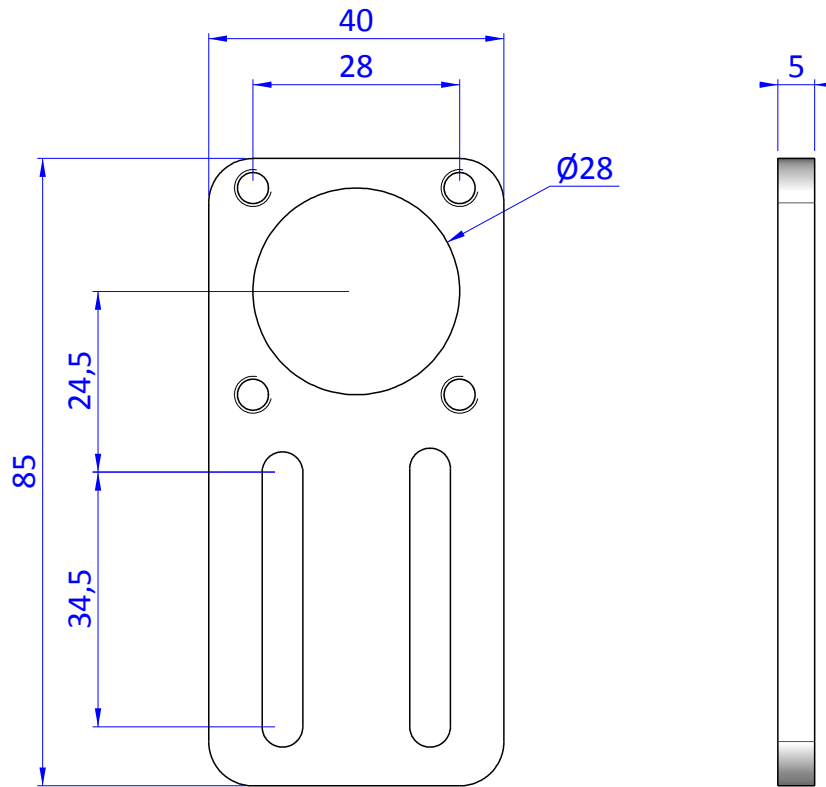

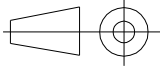


THE PROPERTY OF THE DRAWING IS ESTABLISHED BY LAW. IT IS FORBIDDEN TO PRODUCE OR SHOW IT TO THIRD PART. WITHOUT A WRITTEN AGREEMENT.

Item	Name	Q.ty
1	11.08.004	1



<b>Format A4</b>  <b>UNI 936-76</b>	 <b>FPS</b> FPSERVICES AUTOMATION			DESIGNED FROM <b>FPS Automation</b>	REVIEW <b>A</b>
	GENERAL TOLERANCE UNI - ISO 2768 CLASSE f	DESCRIPTION  <b>CA.11.08.004</b>		DATE <b>20/05/2019</b>	WEIGHT <b>0,031kg</b>
				CODE <b>CA.11.08.004</b>	